

The Forza **FX-650LCD** comes equipped with an easy to read LCD with a blue backlight that displays the battery status, input voltage, output voltage, and operation mode of the UPS

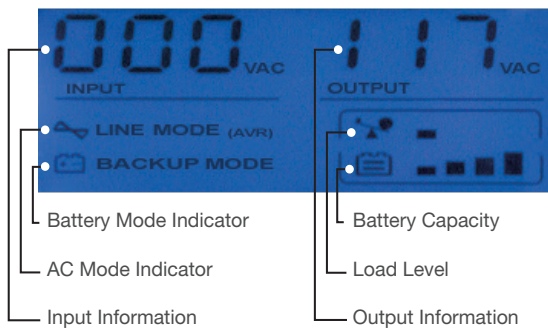
FEATURES

- LCD displays real time status information
- Easy to read LCD visual display with blue backlight
- Power protection for home and office equipment
- Boost & buck AVR to stabilize voltage
- 6 outlets – w/ battery back up, AVR, and surge protection
- Fax & modem protection
- USB communication port
- Long back up time
- Power management software CD
- 320 Joules surge rating

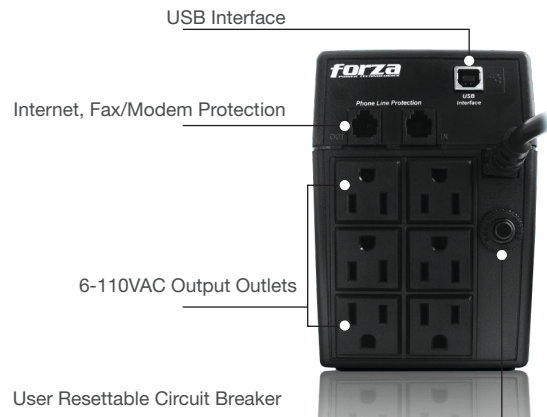


LCD DISPLAY

The Forza **FX-650LCD** comes equipped with an easy to read LCD with a blue backlight that displays the battery status, input voltage, output voltage, and operation mode of the UPS.

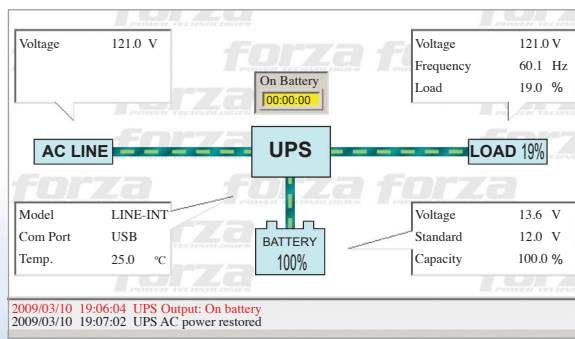


FX-650 LCD



POWER MANAGEMENT VIA DATA REPORT

- Real Time Monitoring
- Compatible with Windows Vista/XP/ME/2000/98/95, Linux, Mac OS, Unix, Sun Solaris, IBM Aix, HP-UX
- Multi Language interphase
- Power flow display for monitoring UPS status
- Scheduled system shutdown/restart
- UPS Parameter setting
- Scheduled UPS test
- Warning notification via E-mail/Pager/Broadcast
- Password security protection



CONNECTIONS FX-650

Input	
Output	

MODEL	FEATURES	FX-650LCD
CAPACITY		650VA/360W
INPUT	Nominal Voltage	110/115/120 VAC
	Voltage Range	89 - 145 VAC
	Frequency Range	50/60Hz
OUTPUT	Nominal Voltage	110/115/120 VAC
	Frequency Range	50/60Hz
	Frequency Stability	+/-1 Hz (battery mode)
	Wave	Modified Sinewave
BATTERY	Battery Type & Quantity	12V/7Ah X 1pc
	Back up Time (PC load with 15" CRT)	18 min.
	Recharge Time	6 Hours to 90% after complete discharge
INTERFACE	Winpower Application with USB Connection	Windows 98/2000/XP/Vista, Mac, Linux
INDICATOR	LCD	Input/Output Voltage, Load Level, Battery Capacity, AC/Battery Mode
ALARM	Audible	Battery mode, Low battery, Overload, batt. Replacement, and Fault
PROTECTION	Total Protection	Discharge, overcharge, and overload protection
PHYSICAL APPEARANCE	Dimensions DxWxH (mm)	330x100x140 mm
	Net weight	5.6kg / 12.3lb
WARRANTY		Two years

