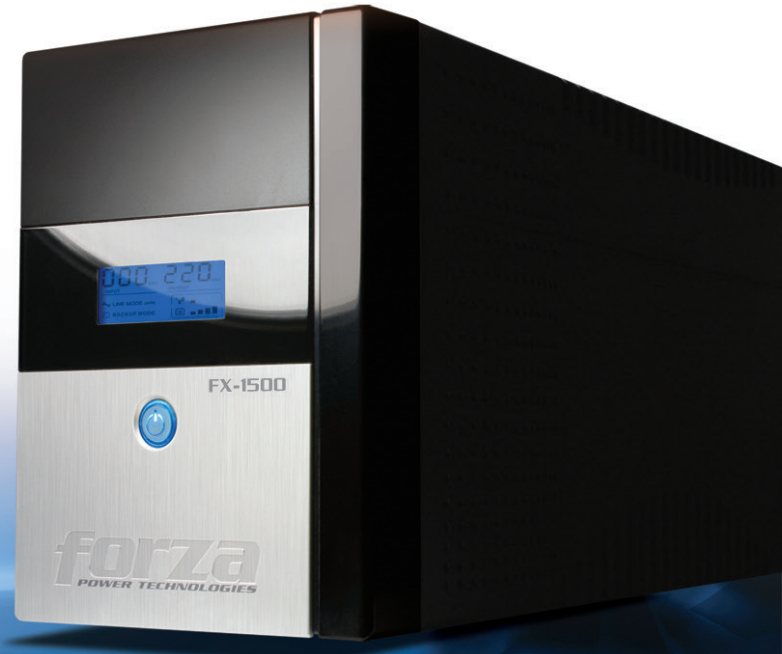


Forza **FX Series** is designed for power protection for your personal computer, server or home theater. The compact size is specially designed for limited office and home working space.

FEATURES

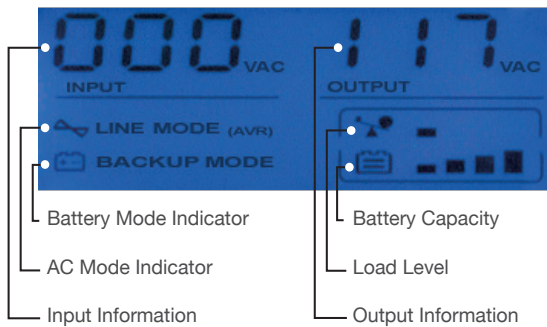
- LCD displays real time status information
- Easy to read LCD visual display with bright blue back light
- Power protection for home and office equipment
- Boost & buck AVR to stabilize voltage
- 8 outlets – w/surge protection, battery back up, AVR (6), and surge protection only (2)
- Network, Fax & modem protection and surge protection (RJ-45)
- USB communication port
- Long back up time
- Power management software CD
- 660 Joules surge rating
- Coaxial protection

Designed for
Home Theater / Server & Network

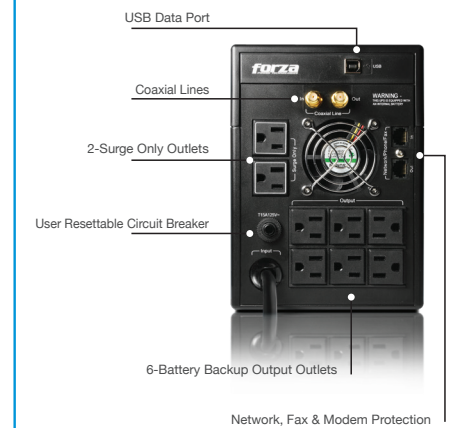


LCD DISPLAY

The Forza **FX-2200LCD** comes equipped with an easy to read LCD and a blue backlight that displays the battery status, input voltage, output voltage, and operation mode of the UPS.

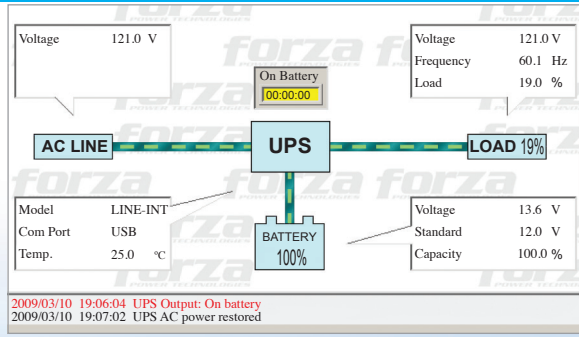


POWER PROTECTION



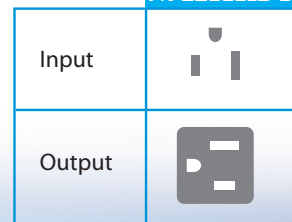
POWER MANAGEMENT VIA DATA REPORT

- Real Time Monitoring
- Compatible with Windows Vista/XP/ME/2000/98/95, Linux, Mac OS, Unix, Sun Solaris, IBM Aix, HP-UX
- Multi Language interphase
- Power flow display for monitoring UPS status
- Scheduled system shutdown/restart
- UPS Parameter setting
- Scheduled UPS test
- Warning notification via E-mail/Pager/Broadcast
- Password security protection



CONNECTIONS

**FX-2200LCD
FX-2200LCD-U**



MODEL	FEATURES	FX2200LCD	/	FX2200LCD-U
CAPACITY	VA / W	2200VA/1200W		2200VA/1200W
INPUT	Voltage Range	81-145VAC		162VAC/290VAC
	Frequency	50/60Hz		
	Voltage	110/115/120VAC		220/230/240VAC
	Voltage Regulation	+ / - 10% (battery mode)		
OUTPUT	Frequency	50Hz / 60Hz		
	Frequency Regulation	+ / - 1 Hz (battery mode)		
	Waveform	Stepped Sine-wave		
	Battery Type	12V9Ah x 2pcs		
BATTERY	Back up time with basic PC load	45 min*		
	Recharge Time	6 hours to 90% after complete discharge		
	Transfer Time	Typical 4-8ms (Typical)		
INDICATOR	LCD Screen	The LCD will always turn on even when the UPS is functioning. Including in charging mode or fault mode.		
AUDIBLE ALARM	Back up Mode	Beeps every 10 seconds		
	Low Battery	Beeps every 1 second		
	Oveload	Beeps every 0.5 seconds		
	Battery Replacement	Beeps every 2 seconds		
	Fault	Beeps continuously		
PROTECTION	Complete Protection	Discharge, Overcharge, Shortcircuit, and Overload Protection		
PHYSICAL	Dimension (DxWxH) (mm)	390 x 205 x 145		
WEIGHT	Net Weight	12.6 Kg.		
ENVIRONMENT	Operating Environment	0 – 40°C, 0 – 90 % relative humidity (non-condensing)		
	Noise Level	Less than 45dB		
INTERFACE	USB	Windows family and Mac		
WARRANTY		Two Years		

*Calculated with a PC and 15" LCD monitor

