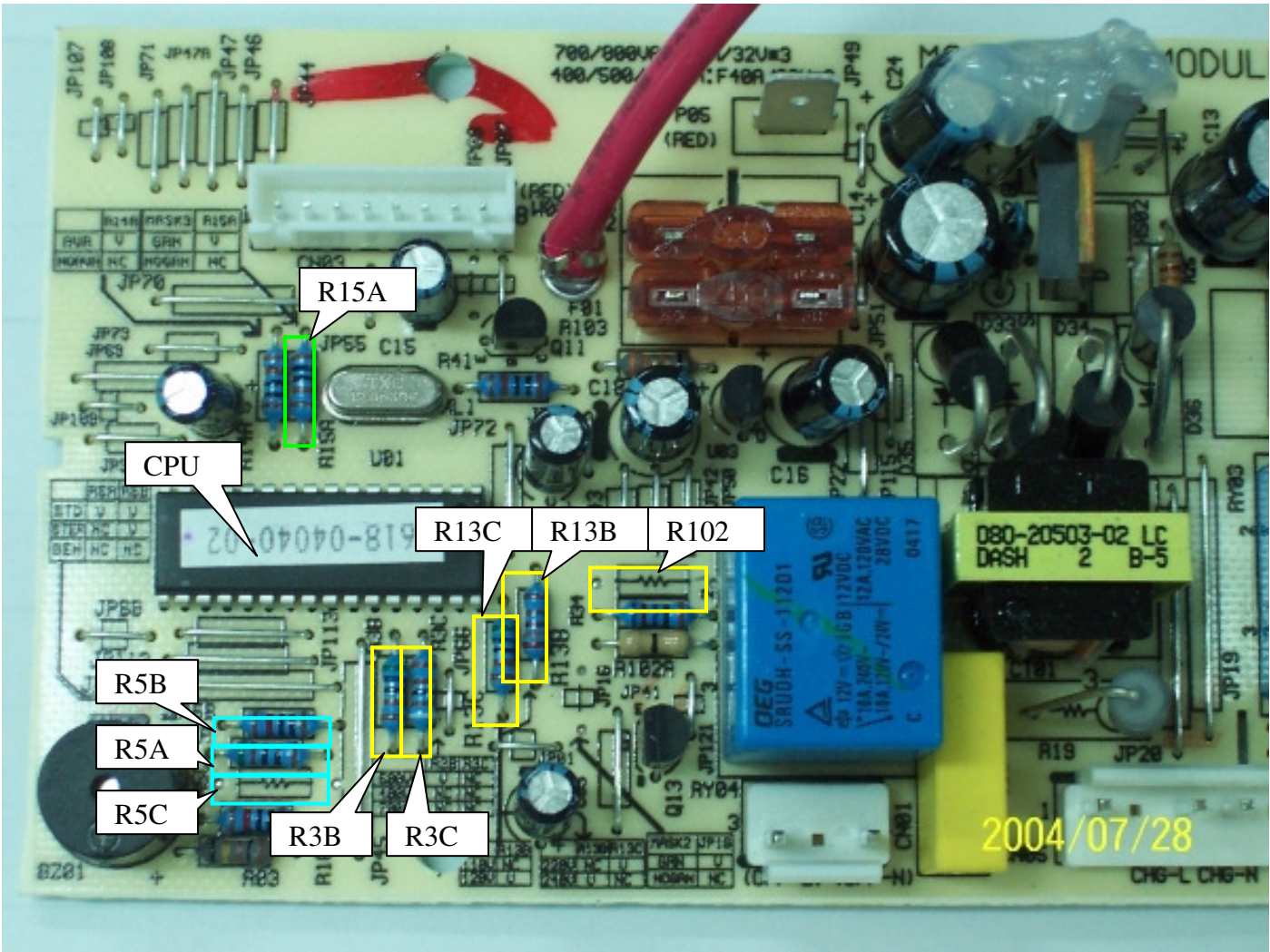




Function explanation:

- a. **If your model is 500VA/120Vac and you don't want to have Green Power function, then you need to cut R15A off. See below of R15A position to take it out.**

Photo of the location of these components:



Green frame: Green Power selection

Provided by
forza
POWER TECHNOLOGIES